

Screen assembly

1) Use screws (c) to mount the assembly mount (b) to the sides of the screen (a) on the wall (Fig. 1) or ceiling (Fig. 2)

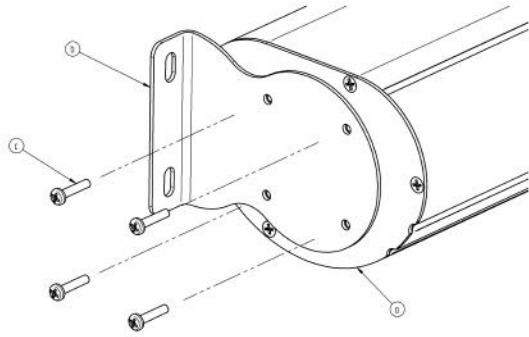


Fig. 1a

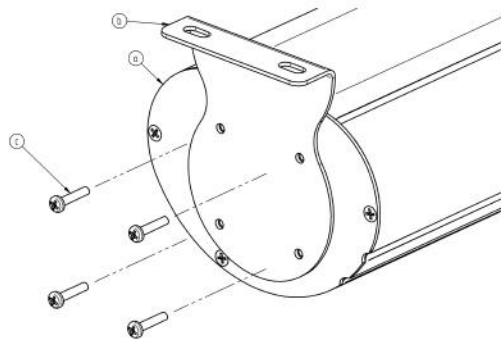


Fig. 1b

2) Drill openings Ø10 for rawlplugs (d) as indicated in column L4 on the Dimensions table where the screen is to be assembled (wall or ceiling). Position screen on the openings and mount with the use of screws (d, e, f) (Figures 2a and 2b).

IMPORTANT !!! The mounting plugs provided with the product can be used only on walls/ceilings made of solid materials (e.g. concrete, aerated concrete, etc.). If the screen is to be mounted onto a different material the person installing the screen should select adequate mounting plugs.

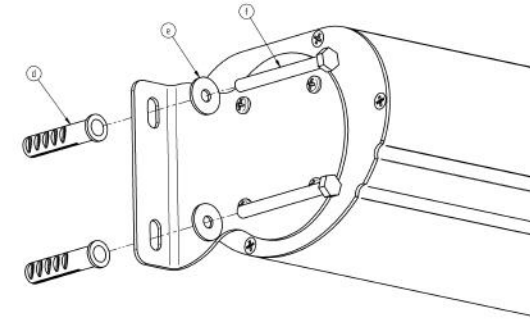


Fig. 2a

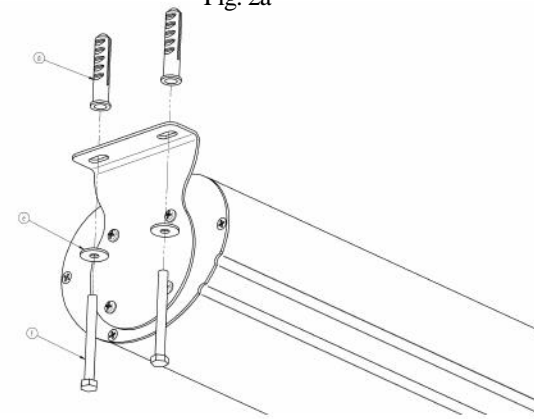
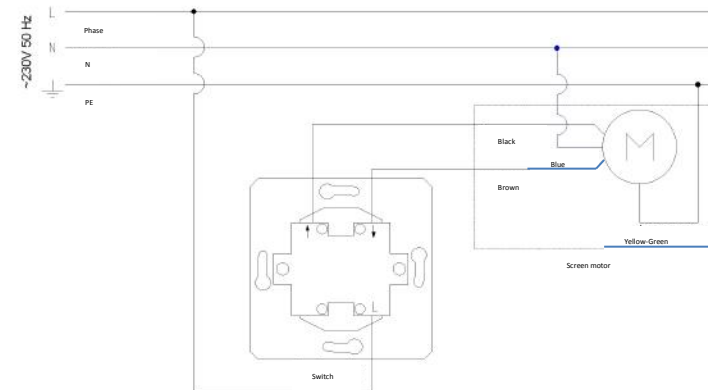


Fig. 2b

Circuit diagram

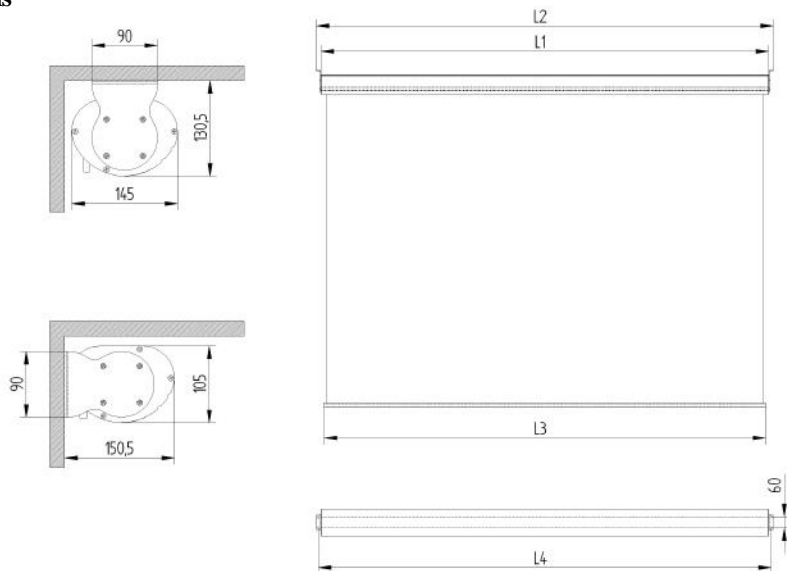


IMPORTANT !!! Screen assembly should be carried out by a qualified electrician.

Maintenance and cleaning

Use a moist cloth to clean the screen (do not use any active detergents). Protect the screen from water and other environmental factors. Carefully remove excess moisture after cleaning.

Dimensions



Base [cm]	L1 [mm]	Casing L2 [mm]	L3 [mm]	Drilling distances L4 [mm]
180	1860	1912	1834	1888
200	2060	2112	2034	2088
220	2260	2312	2234	2288
240	2460	2512	2434	2488
280	2860	2912	2834	2888
300	3060	3112	3034	3088
350	3560	3612	3534	3588
400	4060	4112	4034	4088

Elements

- a. Electric screen - 1
- b. Assembly mount - 2
- c. Screw (Ø4) - 8
- d. Rawlplug (Ø10) - 4
- e. Washer (Ø6) - 4
- f. Rawlplug screw (Ø6) - 4
- g. Flush-mounted switch - 1
- h. Instrukcja instalacji - 1

SCREEN INSTALLATION MANUAL

